



### ◆ FEATURE

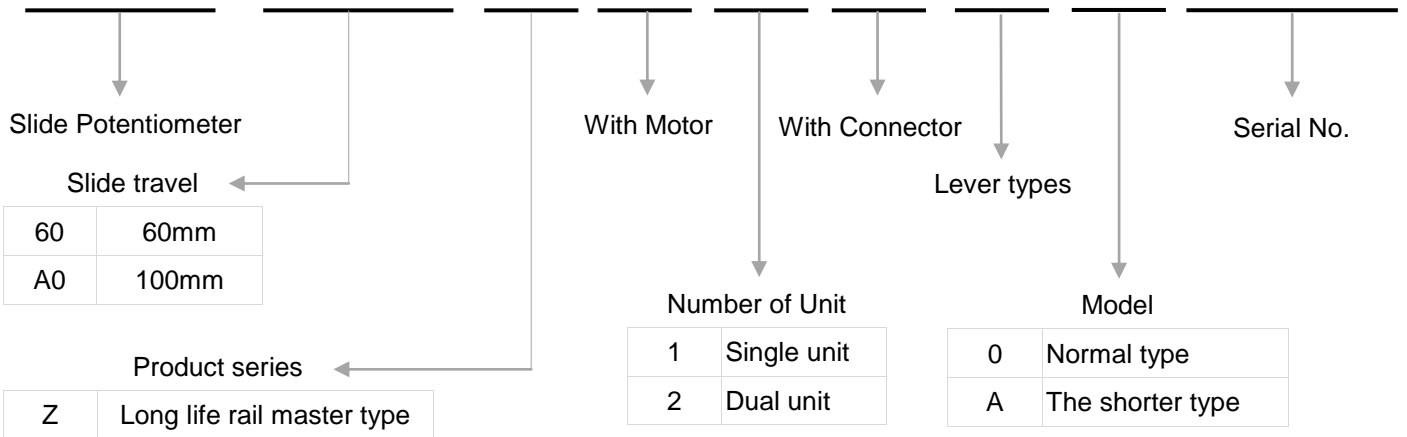
- Programmable and precise slide pattern.
  - Touch sensitive lever which enables fader to the slightest physical contact.

### ◆ APPLICATIONS

- Master volume control in high-grade audio equipment fader for studio mixer, etc.

### ◆ PRODUCTS NUMBERING SYSTEM

R	F	A	0	Z	M	2	C	9	0	0	1
---	---	---	---	---	---	---	---	---	---	---	---



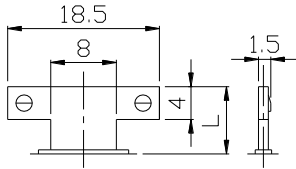
### ◆ COMMON SPECIFICATIONS

Characteristics	Specification
Operating temperature range	-10°C to +70°C
Total resistance (KΩ)	5、10、20、50、100、250、500
Total resistance tolerance	±20%
Resistance taper	A、B、C
Operating force	50 gf max
Sliding service life	1,000,000 cycles
Rated voltage	10V D.C
Operating supply voltage range	6~11V D.C.
Maximum current	800mA max

# SLIDE POTENTIOMETER


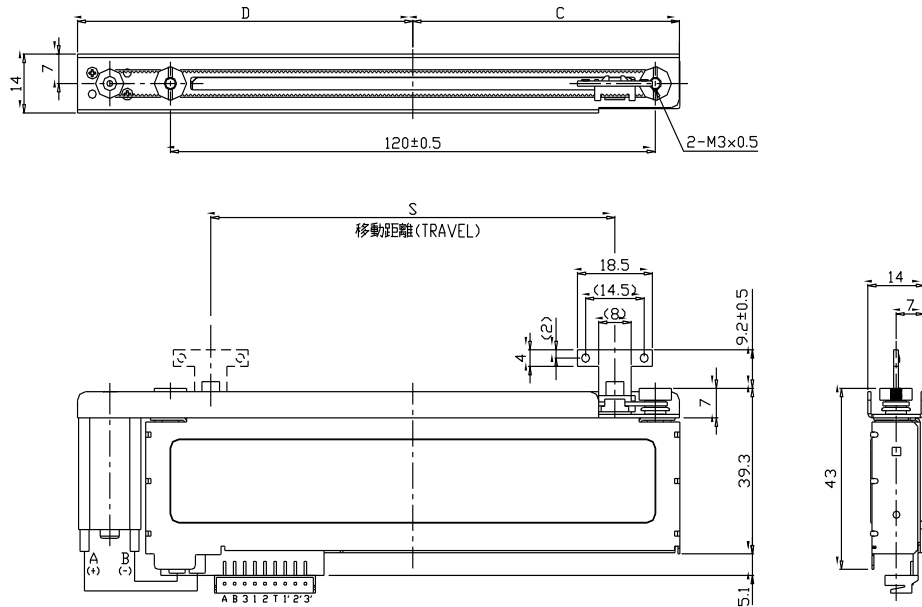
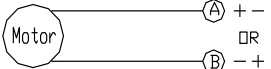
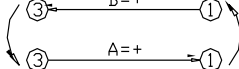
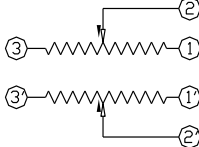
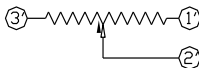
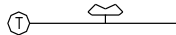
## Long Life Rail Master With Motor Type

### ◆ LEVER TYPES

Material	Metal lever
Lever type	<b>9</b>
	t=1.2
Dimensions	
Length (L)	8.2

### DIMENSIONS

Unit : mm

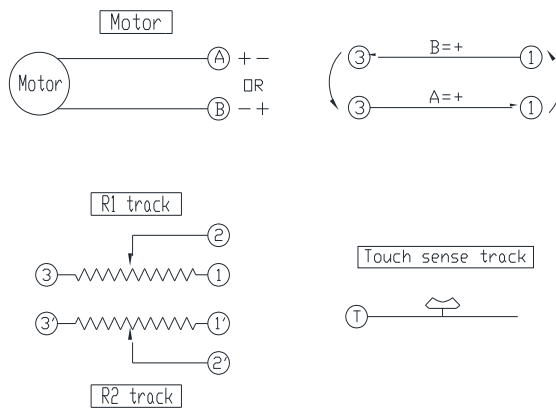
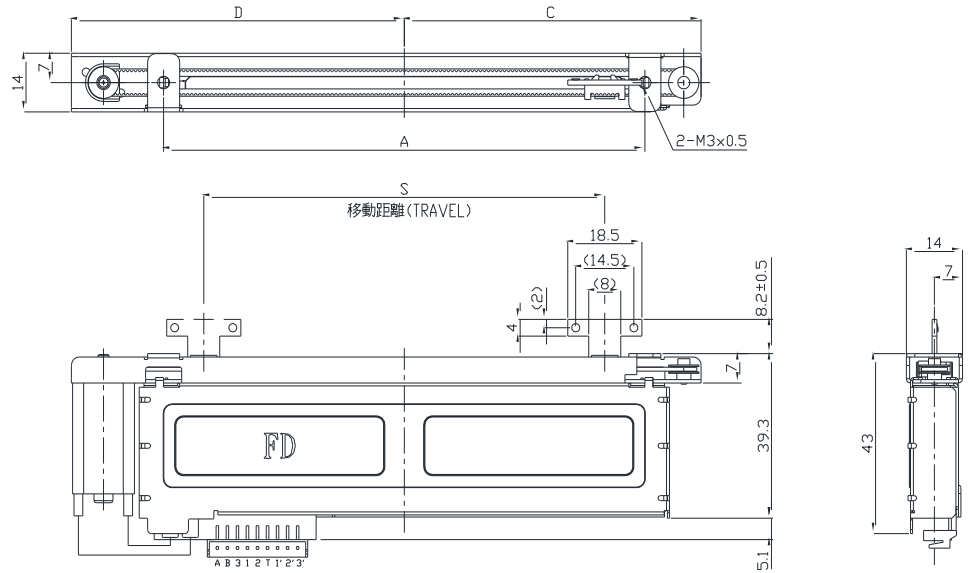
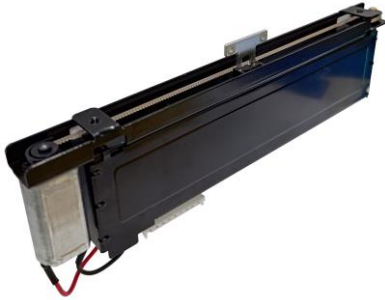
Model	Dimensions
RF□□ZM□□□□A□□	  <div style="display: flex; justify-content: space-around; margin-top: 10px;"> <div style="text-align: center;"> <p>Motor</p>  <p>OR</p>  </div> <div style="text-align: center;"> <p>R1 track</p>  </div> <div style="text-align: center;"> <p>R2 track</p>  </div> <div style="text-align: center;"> <p>Touch sense track</p>  </div> </div>

Model	Dimensions			
	S	A (S+20)	C	D
RF60ZM	60	80	46.1	63
RFA0ZM	100	120	66.1	83

Model

Dimensions

RF□□ZM□□□□0□□



Model	Dimensions			
	S	A (S+20)	C	D
RF60ZM	60	80	54	63
RFA0ZM	100	120	74	83